



RQG25 Electron

**Adjustable
foot-print
Enabling the operator
to set up the stabiliza-
tion in
confined spaces**

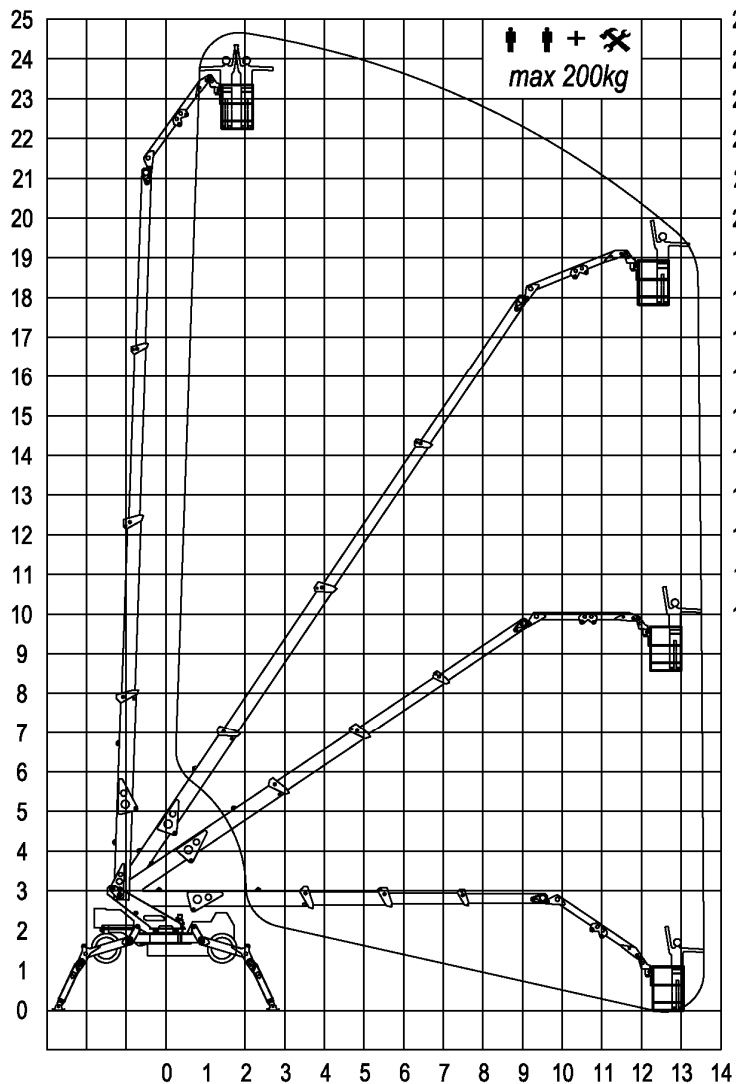
**Excellent horizontal
outreach at full cage
capacity**

**Wide and roomy
rotating cage,
removable type for
easy access through
the doorways**

**Fast/slow speed of
travelling movement
Enabling greater
torque to
override scope**

**Compact folder
dimensions**



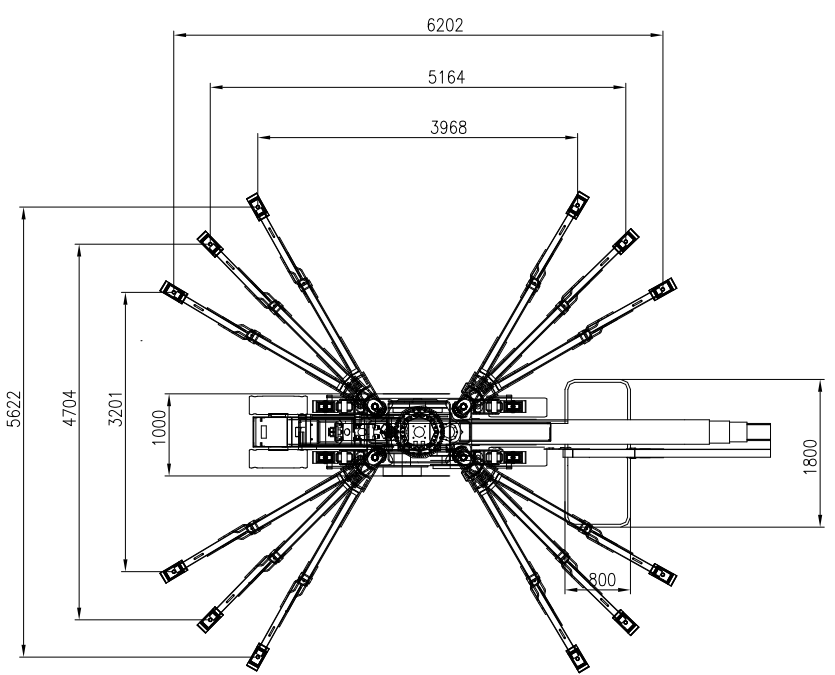
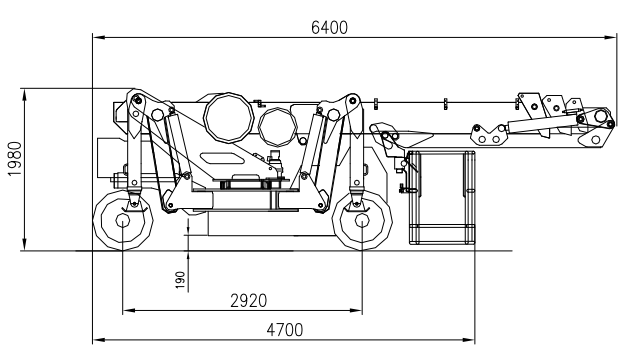


Technical data	
Max working height	m 24,30
Working height to the basket floor	m 22,30
Max side outreach (200kg)	m 13,50
Turret rotation	Deg. 360°
Cage dimensions LxW (Steel type)	m 2,0 X0,8
Rotation cage	° 70°+70°
Max cage capacity (2 men 160kg+tools 40kg)	kg 200
Lenght in stowed position	mm 6400
Minimum width in stowed position	mm 1000
Minimum height in stowed position	mm 1980
Stabilization foot-print	m 3,1x3,5 to 4,7x5,1
Max driving speed	Km/h 0-2,0
Max gradeability	deg 20%
Max side gradeability	deg 1°
Total weight *	kg 5800
Wheels surface load in the driving position.	N/cm2 2,28
Surface load in standard work position (wide stab. set-up)	KN/m2 2,60
Max load on stabilizer	KN 35
Electric power source	Kw/V 5/36

STANDARD FEATURES:
Emergency hand pump
Lock valves on all actuators
Hour meter
Stabilisers/booms interlocking
Load limiting device
No marking tyres

OPTIONALS:
220V/380V Motor Pump
Air or Water outlet in the cage
220 V outlet in the cage
Hydraulic generator
Customized colours
Anti-collision Kit

* May differs due to the configuration



DATA, DIMENSIONS AND FEATURES ARE INDICATIVE AND NOT BINDING. Rev. I.—02/03/10

