



## SEL 17 AJ ELECTRON

***Traction technology by asynchronous electric motors assuring an excellent efficiency, high speed and low maintenance***

***Traction and platform movements acted by asynchronous electric motors and inverter technology free from maintenance***

***High travelling speed up to 6 km/h***

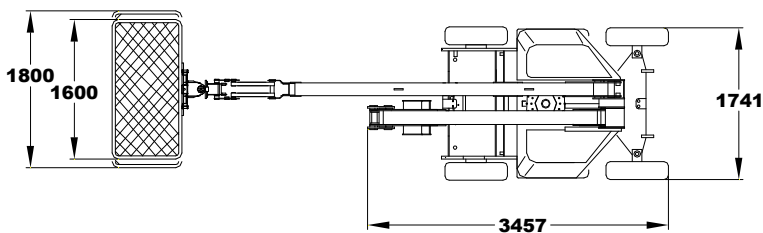
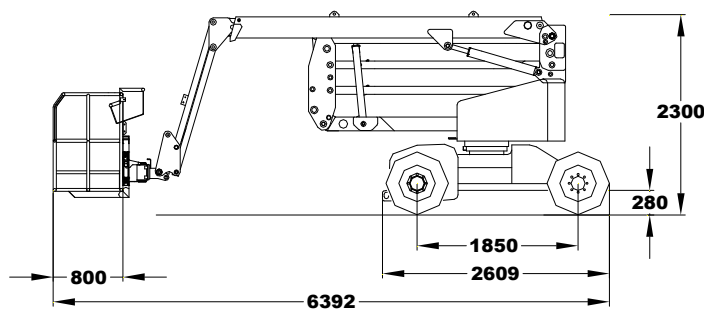
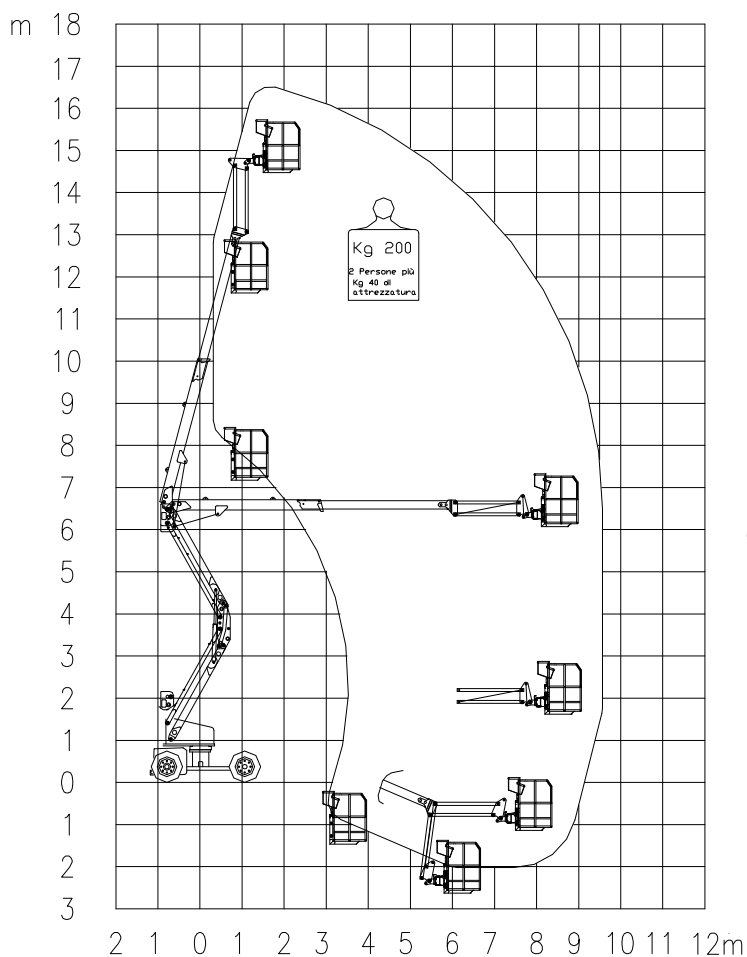
***Precise and proportional manoeuvrability including simultaneous movements***

***Electronic brake control of platform drive, enabling an easy and safe platform control while loaded and unloaded on trailers***

***Diagnostic display on board***

***Easy and intuitive joysticks control***





TECHNICAL DATA	
Max working height	m 16,60
Working height to the basket floor	m 14,60
Max side outreach	m 9,50
Up and over clearance	m 6,10
Turret rotation	deg 360°
Cage dimension	m 1,60 x 0,80 (2,20 max)
Basket rotation	deg 90 + 90°
Max cage capacity	kg 200
Lenght in stowed position	m 6,40
Minimum width in stowed position	m 1,74
Minimum height in stowed position	m 2,30
Drive speed	Km/h 0,80 - 5,50
Minimum external turning radius	m 3,50
Max gradeability	deg 15° (27%)
Max working gradeability	deg 3° (5%)
Total weight	kg 7250
Max force on the ground	daN 4750
Power source	Vdc/Ah 36 - 390

STANDARD FEATURES:
On board service display
Battery charger 36Vdc - 60 A
Foam filled tyres (7,50x15)
Asynchronous translation, inverter control. Maintenance free
Use with full outreach
Canbus system
Horn
Complying with: EN280

OPTIONALS:
Non marking tyres
Air and water outlet in the cage
Basket working light in the cage
110/220 V. AC 16 AMP Outlet in the cage
Biodegradable oil
Customised color
Diesel Moto-generator 4,2KVA - 230 Vac

REV.2-09-07-09

DATA, DIMENSIONS AND FEATURES ARE INDICATIVE AND NOT BINDING.

